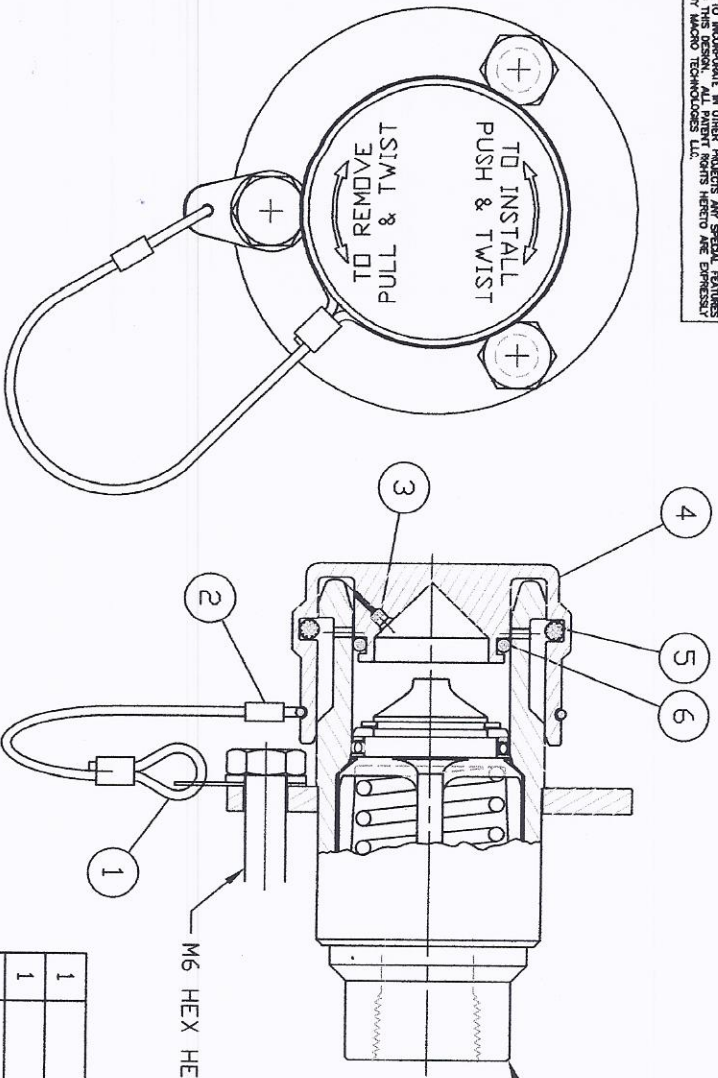


NOTICE
 THIS DRAWING EMPHOSES A PROPRIETARY DESIGN ORIGINATED BY MACRO TECHNOLOGIES LLC AND ALL DESIGN, MANUFACTURING, REPRODUCTION, USE AND SALES RIGHTS REGARDING THE SAME ARE EXPRESSLY RESERVED. THE INFORMATION CONTAINED HEREIN IS UNCLASSIFIED AND IS NOT TO BE RELEASED OR DISCLOSED IN ANY MANNER WITHOUT THE WRITTEN PERMISSION OF MACRO TECHNOLOGIES LLC. THE INFORMATION CONTAINED HEREIN IS UNCLASSIFIED AND IS NOT TO BE RELEASED OR DISCLOSED IN ANY MANNER WITHOUT THE WRITTEN PERMISSION OF MACRO TECHNOLOGIES LLC. ALL RIGHTS RESERVED BY MACRO TECHNOLOGIES LLC.



1. RADIAL RELATIONSHIP AS SHOWN IS NOT HELD
2. ALL ITEMS CLEANED PER CGA G-4.1
3. PRESS ITEM 3 VENT FILTER INTO ITEM 4 CAP UNTIL SEATED
4. WRAP ITEM 1 CABLE IN GROOVE TO WD REQUIREMENTS, CRIMP SLEEVE TO RETAIN CABLE, .04 MIN PROTRUSION
- 5.
6. DIRECTIONAL ARROW AND OPERATIONAL INSTRUCTIONS TO BE LASER ENGRAVED (WHITE TO GRAY IN COLOR)

DRILLED HOLE TOL.
0.13 TO .128 = +.004 - .001
.125 TO .120 = +.002 - .001
.118 TO .113 = +.002 - .001
.110 TO .105 = +.002 - .001
.100 TO .095 = +.002 - .001
.090 TO .085 = +.002 - .001
.080 TO .075 = +.002 - .001
.070 TO .065 = +.002 - .001
.060 TO .055 = +.002 - .001
.050 TO .045 = +.002 - .001
.040 TO .035 = +.002 - .001
.030 TO .025 = +.002 - .001
.020 TO .015 = +.002 - .001
.010 TO .005 = +.002 - .001
NEST ASSY PART NO. QUAN

QUANTITY REQ'D	-2	-1	BSC	FSCM NO.	PART NUMBER
1	1	1	13633	13633	TAB & CABLE ASSY
1	1	1	13058	13058	FILTER, VENT
1	1	1	13619-2	13619-2	CAP
1	1	1	13616	13616	GARTER SPRING
1	1	1	2-219	2-219	PACKING

CONTACT NO.	CONTAINER SPEC	CONTAINER	ORDERED BY	DATE
ORDERED BY	DATE	HEAT TREAT / SPEC	FINISH / SPEC	DATE

SIZE	DATE CODE	DRAWING NO.	REV
B	62529	13665	D
SCALE	NONE	SHEET	1 OF 1

QUANTITY REQ'D	-2	-1	BSC	FSCM NO.	PART NUMBER	PART DESCRIPTION	MATERIAL / FINISH SPECIFICATION	ITEM
1	1	1	13633	13633	TAB & CABLE ASSY	7 x 19 CRES WIRE, CRES CRIMP		1
1	1	1	13058	13058	FILTER, VENT	SINTERED BRONZE		3
1	1	1	13619-2	13619-2	CAP	ALUM, ANODIZE BLUE		4
1	1	1	13616	13616	GARTER SPRING	CRES		5
1	1	1	2-219	2-219	PACKING	VITON-75 (FKM)		6

Macro Technologies LLC
 11815 - 124th Ave NE • Kirkland, WA • 98034

LNG-FUELLING, CAP ASSEMBLY

MALE LNG COUPLER ASSEMBLY SHOWN FOR REFERENCE ONLY NOT PART OF CAP ASSEMBLY

REFERENCE ONLY

LR	DESCRIPTION	DATE	APPROVAL
A	CABLE MATERIAL REVISIONS	12-24-08	HK
B	ITEM 6 MAT'L WAS BUNA-N	07-21-09	HK
C	ITEM 6 WAS CRIMP ITEM 1 WAS 7x7 V/CPPER CRIMP	02-25-10	HK
D	ITEM 4 P/N TO -2 CONFIGURATION	11-09-11	JD